

## 8 to 12GHz – Dual Junction Coaxial Circulator

### Design Features

- ◆ Can be dual junction or multiple for high isolation.
- ◆ High RF performance, ultra-competitive price.
- ◆ Military, space and commercial applications.
- ◆ Custom design available upon request.
- ◆ Support one year standard warranty.

### RF Characteristics

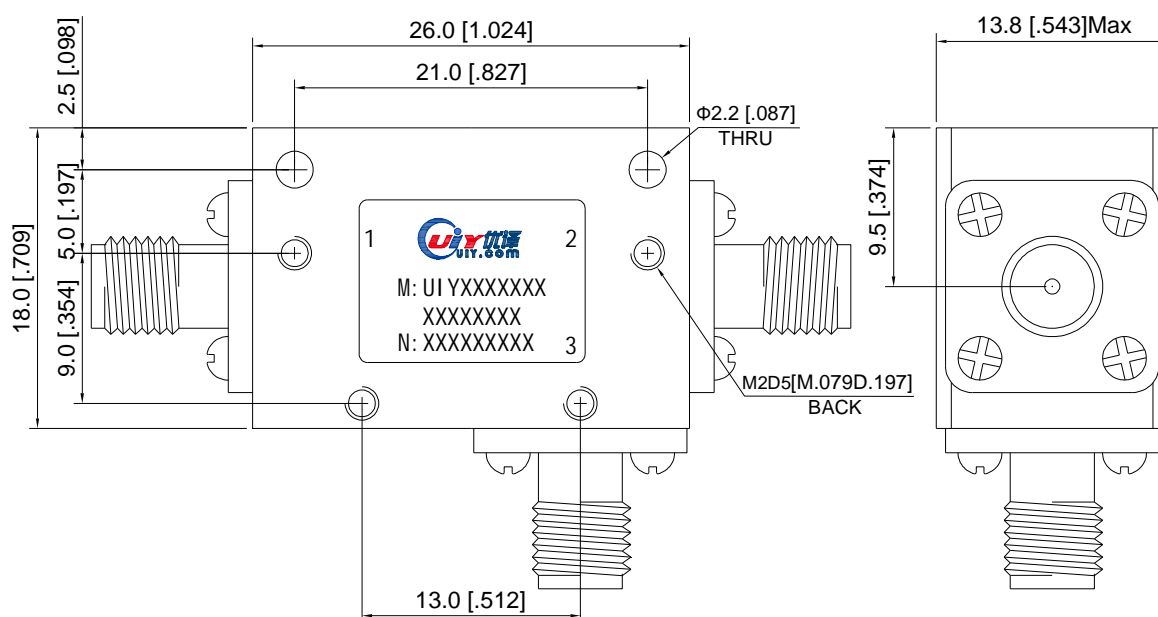
Model Number	Freq. Range (GHz)	Insertion Loss Max(dB)		Isolation Min(dB)		VSWR Max	Forward Power (W)	Reverse Power (W)	Connector Type	Temp.(°C)
		1-2	2-3	2-1	1-3 3-2 3-1					
UIYBCC2618A8T12SF	8.0 ~ 12.0	1.0	0.5	36	18	1.3	60	60	SMA-F	-55 ~ +85
UIYBCC2618A8T12SMTSFTSF	8.0 ~ 12.0	1.0	0.5	36	18	1.3	60	60	SMA-M @Port 1 SMA-F @Other	-55 ~ +85
UIYBCC2618A8T12SFTSMTSF	8.0 ~ 12.0	1.0	0.5	36	18	1.3	60	60	SMA-M @Port 2 SMA-F @Other	-55 ~ +85

<sup>2</sup> Listed are specific frequency ranges and tailor-made ranges are available.

<sup>2</sup> Please provide the information below when inquiring and mark \* is required.

- \* 1. The specific frequency ranges
- \* 2. Power handling (Forward, Reverse, Peak, etc.)
- \* 3. Connect type (SMA Male/ Female, N Male/ Female, etc.)
- 4. Other special request if have (Insertion Loss, Isolation, VSWR, Temperature, Dimension, etc.)

### Mechanical Drawing



Unit: mm/ inch, General part tolerance is  $\pm 2\%$  unless otherwise stated.

Ver. 5