

1 to 2GHz – 4 Port Dual Junction Coaxial Circulator

Design Features

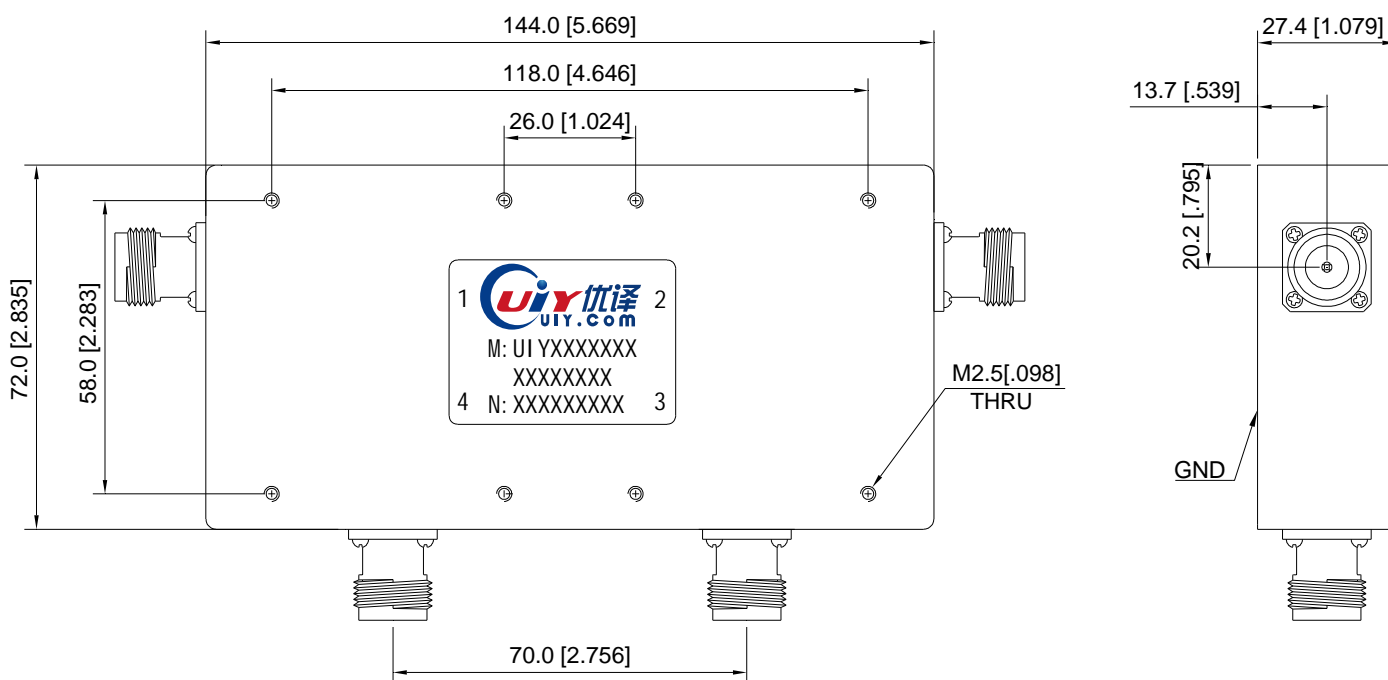
- ◆ Can be dual junction or multiple for high isolation.
- ◆ High RF performance, ultra-competitive price.
- ◆ Military, space and commercial applications.
- ◆ Custom design available upon request.
- ◆ Support one year standard warranty.

RF Characteristics

Model Number	Freq. Range (GHz)	Insertion Loss (1-2 & 3-4) Max(dB)	Isolation (2-1 & 4-3) Min(dB)	VSWR Max	Forward Power (W)	Reverse Power (W)	Connector Type	Temp.(°C)
UIYBCC14272A4P1T2NF	1.0 ~ 2.0	1.4	33	1.4	300	300	N-F	+10 ~ +70
UIYBCC14272A4P1T2SF	1.0 ~ 2.0	1.4	33	1.4	100	100	SMA-F	+10 ~ +70

- ² Listed are specific frequency ranges and tailor-made ranges are available.
- ² Please provide the information below when inquiring and mark * is required.
- * 1. The specific frequency ranges
 - * 2. Power handling (Forward, Reverse, Peak, etc.)
 - * 3. Connect type (SMA Male/ Female, N Male/ Female, etc.)
 - 4. Other special request if have (Insertion Loss, Isolation, VSWR, Temperature, Dimension, etc.)

Mechanical Drawing



Unit: mm/ inch. General part tolerance is $\pm 2\%$ unless otherwise stated.

Ver. 5.2