

22 to 33GHz – Coaxial Circulator

Design Features

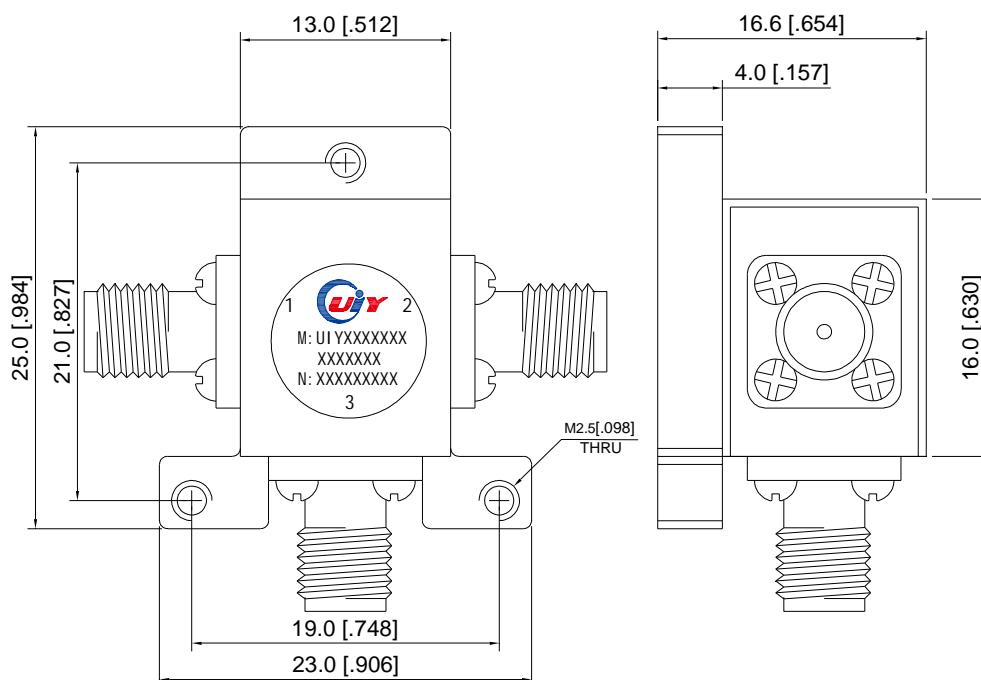
- ◆ Can be dual junction or multiple for high isolation.
- ◆ High RF performance, ultra-competitive price.
- ◆ Military, space and commercial applications.
- ◆ Custom design available upon request.
- ◆ Support one year standard warranty.

RF Characteristics

Model Number	Freq. Range (GHz)	Insertion Loss Max(dB)	Isolation Min(dB)	VSWR Max	Forward Power(W)	Reverse Power(W)	Connector Type	Temp.(°C)
UIYBCC1325B22T33KF	22.0 ~ 33.0	1.5	15	1.5	10	10	2.92mm-F	+25±5
		1.7	13	1.7				-40 ~ +80
UIYBCC1325B22T33KMTKF	22.0 ~ 33.0	1.5	15	1.5	10	10	2.92mm-M to 2.92mm-F	+25±5
		1.7	13	1.7			-40 ~ +80	

- ² Listed are specific frequency ranges and tailor-made ranges are available.
- ² Please provide the information below when inquiring and mark * is required.
- * 1. The specific frequency ranges
 - * 2. Power handling (Forward, Reverse, Peak, etc.)
 - * 3. Connect type (SMA Male/ Female, N Male/ Female, etc.)
 - * 4. Other special request if have (Insertion Loss, Isolation, VSWR, Temperature, Dimension, etc.)

Mechanical Drawing



Unit: mm/ inch, General part tolerance is ±2% unless otherwise stated.

Ver. 5.0