

18 to 26.5GHz – Coaxial Circulator

Design Features

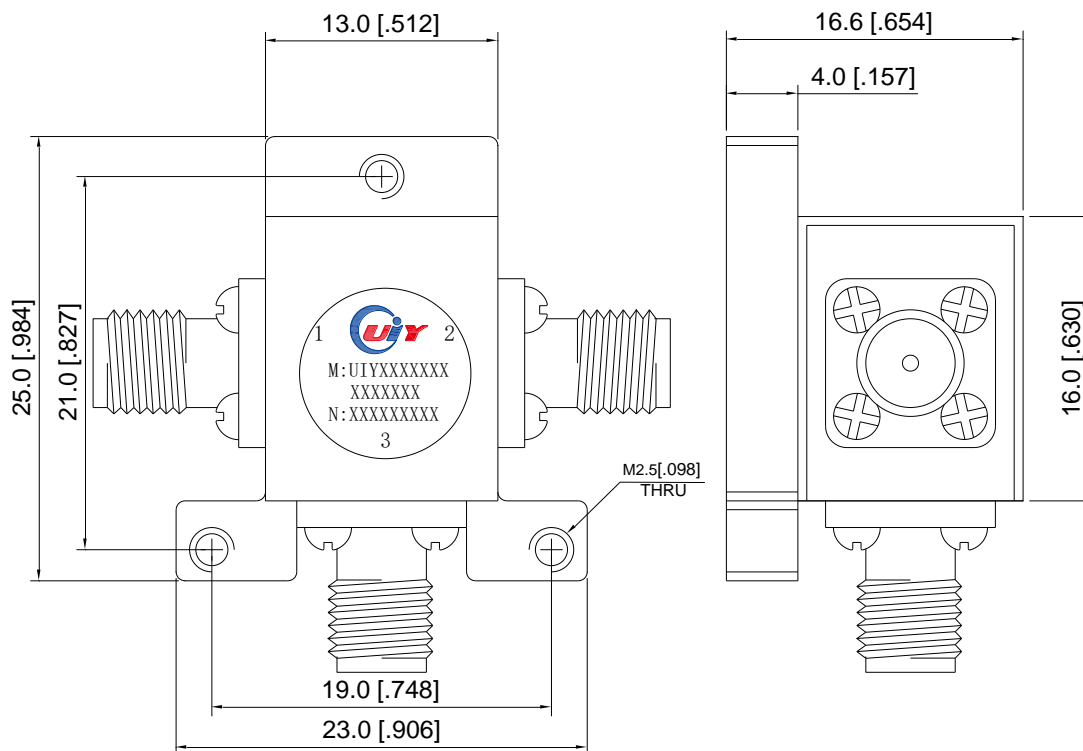
- ◆ Can be dual junction even three for high isolation.
- ◆ High RF performance, ultra-competitive price.
- ◆ Military, space and commercial applications.
- ◆ Custom design available upon request.
- ◆ Guaranteed for one year standard.

RF Characteristics

Model Number	Freq. Range (GHz)	Insertion Loss Max(dB)	Isolation Min(dB)	VSWR Max	Forward Power(W)	Reverse Power(W)	Connector Type	Temp.(°C)
UIYBCC1325A18T265SF	18.0 ~ 26.5	1.6	14	1.6	10	10	SMA-F	+25±5
		1.7	12	1.8				-40 ~ +80

- ◇ List are specify frequency range and other ranges available.
- ◇ Please enter below information when inquiry and mark * is must.
 - * 1. The specific frequency range
 - * 2. Power handling (Forward, Reverse, Peak, etc.)
 - * 3. Connect type (SMA Male/ Female, N Male/ Female, etc.)
 - 4. Other special request if have (Insertion Loss, Isolation, VSWR, Temperature, Dimension, etc.)

Mechanical Drawing



Unit: mm/ inch, General part tolerance is ±2% unless otherwise stated.

Ver. 5