

1 to 2GHz – 500W Coaxial Circulator

Design Features

- ◆ Can be dual junction or multiple for high isolation.
- ◆ High RF performance, ultra-competitive price.
- ◆ Military, space and commercial applications.
- ◆ Custom design available upon request.
- ◆ Support one year standard warranty.

RF Characteristics

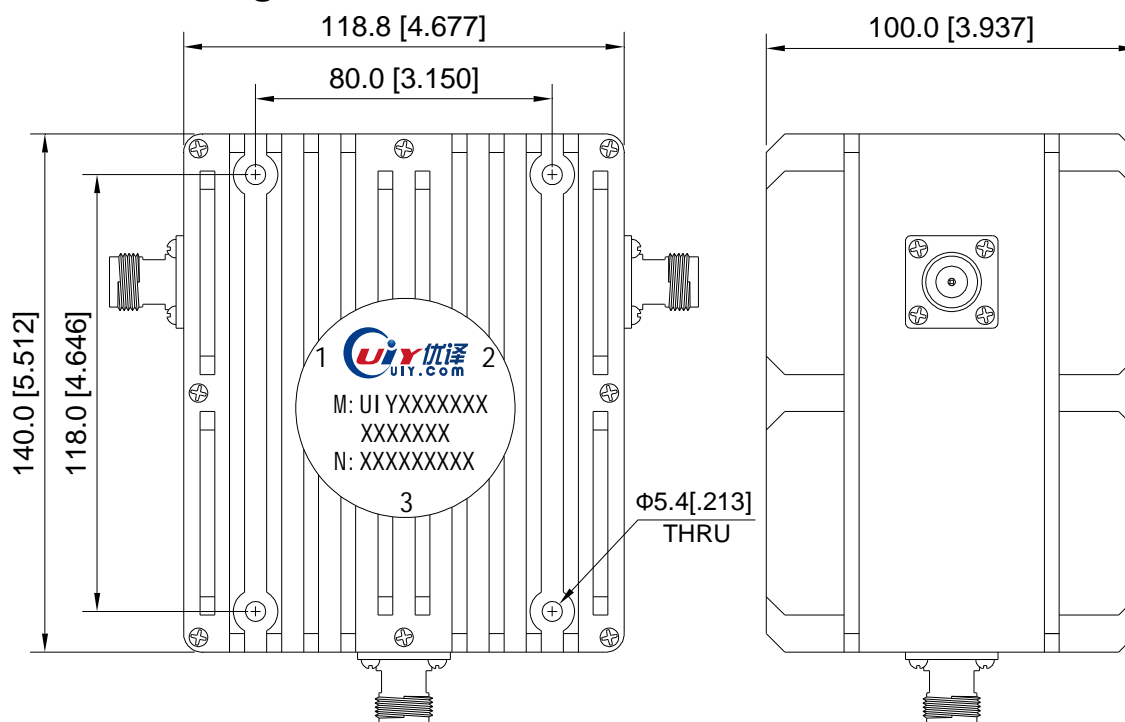
Model Number	Freq. Range (GHz)	Insertion Loss Max(dB)	Isolation Min(dB)	VSWR Max	Forward Power(W)	Reverse Power(W)	Connector Type	Temp.(°C)
UIYBCC118140A1T2NF	1.0 ~ 2.0	0.8	15	1.5	500	500	N-F	+10 ~ +60
UIYBCC118140A1T2NMTNFTNF	1.0 ~ 2.0	0.8	15	1.5	500	500	N-M to N-F to N-F	+10 ~ +60
UIYBCC118140A1T2NFTNMTNF	1.0 ~ 2.0	0.8	15	1.5	500	500	N-F to N-M to N-F	+10 ~ +60

² Listed are specific frequency ranges and tailor-made ranges are available.

² Please provide the information below when inquiring and mark * is required.

- * 1. The specific frequency ranges
- * 2. Power handling (Forward, Reverse, Peak, etc.)
- * 3. Connect type (SMA Male/ Female, N Male/ Female, etc.)
- 4. Other special requests (Insertion Loss, Isolation, VSWR, Temperature, Dimension, etc.)

Mechanical Drawing



Unit: mm/ inch, General part tolerance is $\pm 2\%$ unless otherwise stated.

Ver. 5.0