

2 to 8GHz – 2 Way Power Divider/Splitter

Design Features

- ◆ High RF performance, ultra-competitive price.
- ◆ Military, space and commercial applications.
- ◆ Custom design available upon request.
- ◆ Support one year standard warranty.

RF Characteristics

Model Number	Freq.Range (GHz)	Insertion Loss Max(dB)	Isolation Min(dB)	VSWR Input Max	VSWR Output Max	Phase Unbalance	Amplitude Unbalance	Power (W)		Connector Type	Temp.(°C)
								Forward	Reverse		
UIY2PD3033A 2T8SF	2.0 ~ 8.0	0.7 (Split 3dB)	20	1.3	1.3	±4°	±0.3dB	30	3	SMA-F	-55 ~ +85
UIY2PD3033A 2T8NF	2.0 ~ 8.0	1.2 (Split 3dB)	18	1.5	1.5	±6°	±0.5dB	30	3	N-F	-55 ~ +85

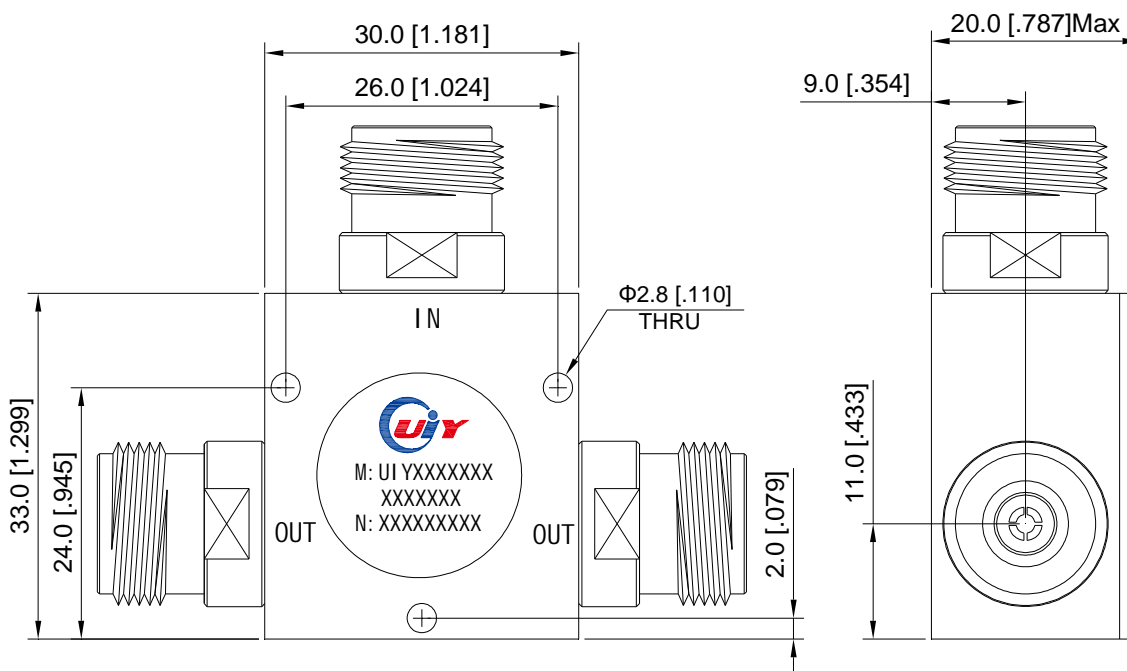
² Listed are specific frequency ranges and other ranges are available by custom.

² Please provide the below information when inquiring and mark * is required.

* 1. The specific frequency ranges.

2. Other special requests (such as Insertion Loss, VSWR, Connector Type, Dimension, etc.)

Mechanical Drawing



Unit: mm/ inch, General part tolerance is ±2% unless otherwise stated.

Ver. 5.1