

200 to 3600MHz – Surface Mount Isolator

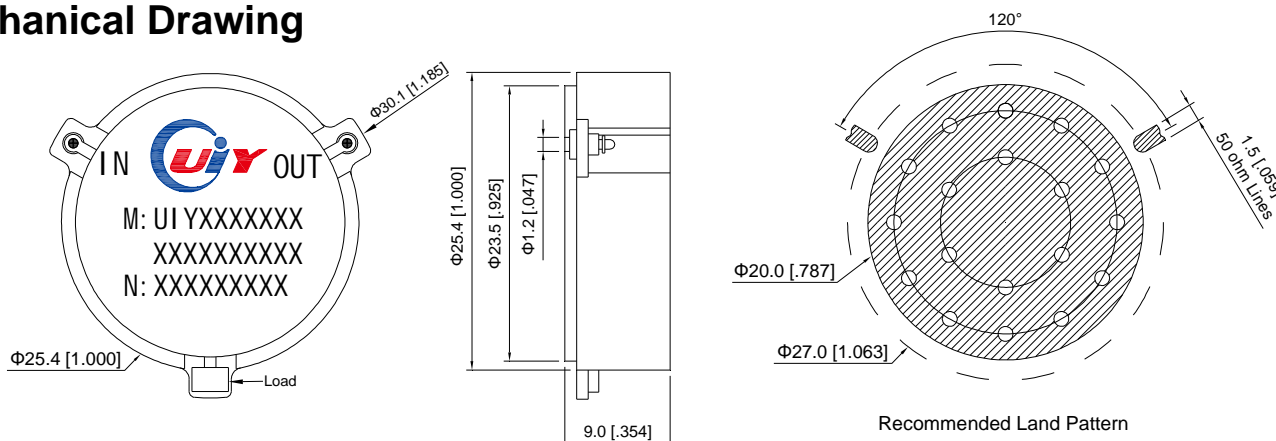
Design Features

- ◆ High RF performance, ultra-competitive price.
- ◆ Military, space and commercial applications.
- ◆ Custom design available upon request.
- ◆ Support one year standard warranty.

RF Characteristics

Model Number	Freq. Range (MHz)	Insertion Loss Max(dB)	Isolation Min(dB)	VSWR Max	Forward Power(W)	Reverse Power(W)	Connector Type	Temp.(°C)
UIYSI25A210T220	210 ~ 220	0.6	18	1.3	100	10	SMT	-40 ~ +85
UIYSI25A220T230	220 ~ 230	0.5	18	1.3	100	10	SMT	-40 ~ +85
UIYSI25A250T270	250 ~ 270	0.5	18	1.3	100	10	SMT	-40 ~ +85
UIYSI25A300T320	300 ~ 320	0.5	20	1.25	100	10	SMT	-40 ~ +85
UIYSI25A350T370	350 ~ 370	0.4	20	1.25	100	10	SMT	-40 ~ +85
UIYSI25A380T460	380 ~ 460	0.5	17	1.35	100	10	SMT	-40 ~ +85
UIYSI25A400T470	400 ~ 470	0.5	18	1.3	100	10	SMT	-40 ~ +85
UIYSI25A410T425	410 ~ 425	0.3	25	1.15	100	10	SMT	-40 ~ +85
UIYSI25A430T470	430 ~ 470	0.4	20	1.25	100	10	SMT	-40 ~ +85
UIYSI25A450T512	450 ~ 512	0.5	20	1.25	100	10	SMT	-40 ~ +85
UIYSI25A490T510	490 ~ 510	0.25	25	1.15	100	10	SMT	-40 ~ +85
UIYSI25A600T700	600 ~ 700	0.3	21	1.2	100	10	SMT	-40 ~ +85
UIYSI25A700T803	700 ~ 803	0.3	23	1.2	100	10	SMT	-40 ~ +85
UIYSI25A800T1000	800 ~ 1000	0.4	19	1.25	100	10	SMT	-40 ~ +85
UIYSI25A860T960	860 ~ 960	0.3	23	1.25	100	10	SMT	-40 ~ +85
UIYSI25A869T894	869 ~ 894	0.2	25	1.15	100	10	SMT	-40 ~ +85
UIYSI25A925T960	925 ~ 960	0.2	25	1.15	100	10	SMT	-40 ~ +85
UIYSI25A950T1250	950 ~ 1250	0.5	18	1.3	100	10	SMT	-40 ~ +85
UIYSI25A1150T1650	1150 ~ 1650	0.5	15	1.45	100	10	SMT	-40 ~ +85
UIYSI25A1200T1400	1200 ~ 1400	0.3	23	1.2	100	10	SMT	-40 ~ +85
UIYSI25A1300T1800	1300 ~ 1800	0.5	16	1.4	100	10	SMT	-40 ~ +85
UIYSI25A1500T1700	1500 ~ 1700	0.3	23	1.2	100	10	SMT	-40 ~ +85
UIYSI25A1710T2170	1710 ~ 2170	0.4	20	1.25	100	10	SMT	-40 ~ +85
UIYSI25A1805T1880	1805 ~ 1880	0.2	25	1.15	100	10	SMT	-40 ~ +85
UIYSI25A1920T1990	1920 ~ 1990	0.2	25	1.15	100	10	SMT	-40 ~ +85
UIYSI25A2000T2500	2000 ~ 2500	0.5	20	1.25	100	10	SMT	-40 ~ +85
UIYSI25A2300T2500	2300 ~ 2500	0.25	25	1.15	100	10	SMT	-40 ~ +85
UIYSI25A2300T2700	2300 ~ 2700	0.3	23	1.2	100	10	SMT	-40 ~ +85
UIYSI25A2400T2600	2400 ~ 2600	0.25	25	1.15	100	10	SMT	-40 ~ +85
UIYSI25A2496T2690	2496 ~ 2690	0.25	25	1.15	100	10	SMT	-40 ~ +85
UIYSI25A2500T2700	2500 ~ 2700	0.25	25	1.15	100	10	SMT	-40 ~ +85
UIYSI25A2700T3100	2700 ~ 3100	0.25	23	1.2	100	10	SMT	-40 ~ +85
UIYSI25A3000T3600	3000 ~ 3600	0.3	20	1.25	100	10	SMT	-40 ~ +85

Mechanical Drawing



Unit: mm/ inch, General part tolerance is $\pm 2\%$ unless otherwise stated.

Ver. 5.3