

700 to 1200MHz – Surface Mount Isolator

Design Features

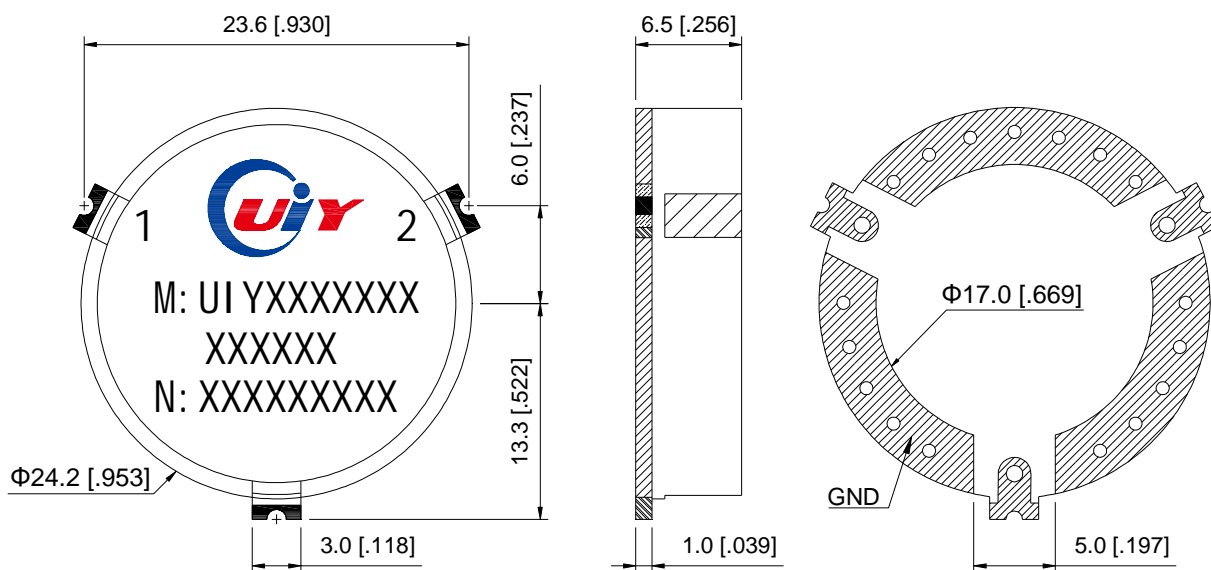
- ◆ High RF performance, ultra-competitive price.
- ◆ Military, space and commercial applications.
- ◆ Custom design available upon request.
- ◆ Support one year standard warranty.

RF Characteristics

Model Number	Freq. Range (MHz)	Insertion Loss Max(dB)	Isolation Min(dB)	VSWR Max	Forward Power(W)	Reverse Power(W)	Connector Type	Temp.(°C)
UIYSI24A718T728	718 ~ 728	0.4	20	1.25	60	5	SMT	-30 ~ +70
UIYSI24A825T835	825 ~ 835	0.35	21	1.2	60	5	SMT	-30 ~ +70
UIYSI24A832T915	832 ~ 915	0.4	20	1.25	60	5	SMT	0 ~ +60
UIYSI24A860T894	860 ~ 894	0.35	21	1.2	60	5	SMT	-30 ~ +70
UIYSI24A860T960	860 ~ 960	0.4	20	1.25	60	5	SMT	-20 ~ +70
UIYSI24A902T928	902 ~ 928	0.35	21	1.2	60	5	SMT	-30 ~ +70
UIYSI24A925T960	925 ~ 960	0.35	21	1.2	60	5	SMT	-30 ~ +70
UIYSI24A925T960	925 ~ 960	0.35	21	1.2	60	5	SMT	-30 ~ +70

- 2 Listed are specific frequency ranges and tailor-made ranges are available.
 2 Please provide the information below when inquiring and mark * is required.
 * 1. The specific frequency ranges
 * 2. Power handling (Forward, Reverse, Peak, etc.)
 3. Other special requests (Insertion Loss, Isolation, VSWR, Temperature, Dimension, etc.)

Mechanical Drawing



Unit: mm/ inch, General part tolerance is ± 0.2 mm unless otherwise stated.

Ver. 5

No. 8, Lane 1, Xintun East Zone, Longgang District, Shenzhen 518172, China.

Web: www.uiy.com

Tel: +86-755-83748888 +86-755-25999990

Fax: +86-755-25999959

E-mail: sales@uiy.com