

## 700 to 1200MHz – Surface Mount Circulator

### Design Features

- ◆ High RF performance, ultra-competitive price.
- ◆ Custom design available upon request.
- ◆ Military, space and commercial applications.
- ◆ Support one year standard warranty.

### RF Characteristics

Model Number	Freq. Range (MHz)	Insertion Loss Max(dB)	Isolation Min(dB)	VSWR Max	Forward Power(W)	Reverse Power(W)	Connector Type	Temp.(°C)
UIYSC24A718T728	718 ~ 728	0.4	20	1.25	60	60	SMT	-30 ~ +70
UIYSC24A825T835	825 ~ 835	0.35	21	1.2	60	60	SMT	-30 ~ +70
UIYSC24A832T915	832 ~ 915	0.4	20	1.25	60	60	SMT	0 ~ +60
UIYSC24A860T894	860 ~ 894	0.35	21	1.2	60	60	SMT	-30 ~ +70
UIYSC24A860T960	860 ~ 960	0.4	20	1.25	60	60	SMT	-20 ~ +70
UIYSC24A902T928	902 ~ 928	0.35	21	1.2	60	60	SMT	-30 ~ +70
UIYSC24A925T960	925 ~ 960	0.35	21	1.2	60	60	SMT	-30 ~ +70
UIYSC24A925T960	925 ~ 960	0.35	21	1.2	60	60	SMT	-30 ~ +70

<sup>2</sup> Listed are specific frequency ranges and tailor-made ranges are available.

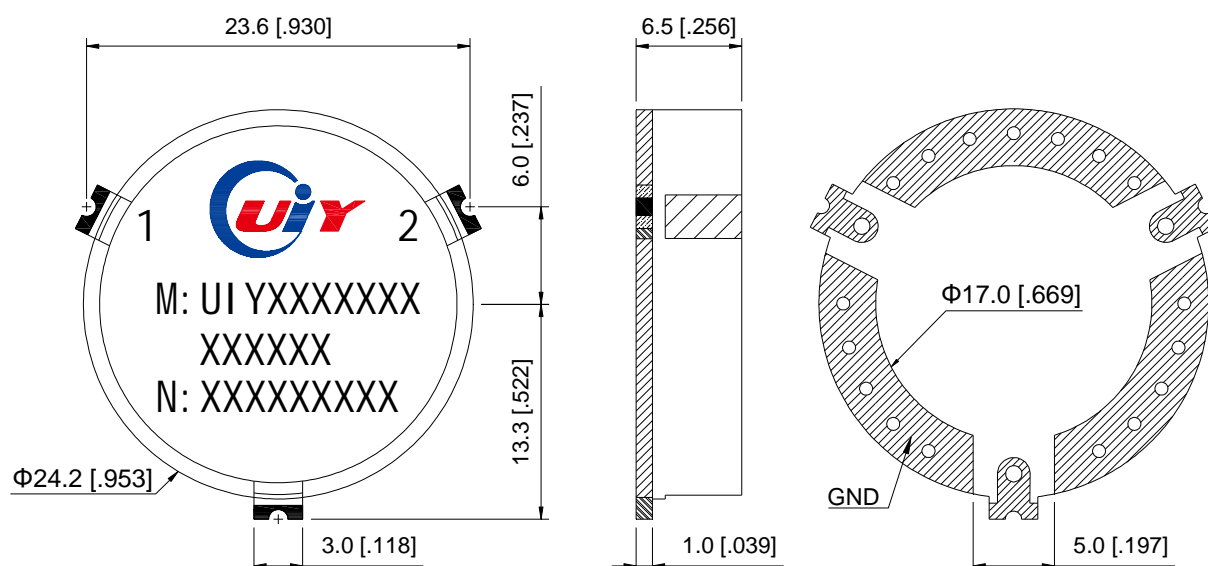
<sup>2</sup> Please provide the information below when inquiring and mark \* is required.

\* 1. The specific frequency ranges

\* 2. Power handling (Forward, Reverse, Peak, etc.)

3. Other special requests (Insertion Loss, Isolation, VSWR, Temperature, Dimension, etc.)

### Mechanical Drawing



Unit: mm/ inch, General part tolerance is  $\pm 0.2$ mm unless otherwise stated.

Ver. 5

No. 8, Lane 1, Xintun East Zone, Longgang District, Shenzhen 518172, China.

Web: [www.uiy.com](http://www.uiy.com)

Tel: +86-755-83748888 +86-755-25999990

Fax: +86-755-25999959

E-mail: [sales@uiy.com](mailto:sales@uiy.com)