

## 448.2 to 469.8MHz – Duplexer / Diplexer

### Design Features

- ◆ High RF performance, ultra-competitive price.
- ◆ Military, space and commercial applications.
- ◆ Custom design available upon request.
- ◆ Support one year standard warranty.

### RF Characteristics

Model Number	Freq. Range (MHz)		Insertion Loss Max(dB)	Isolation Min(dB)	VSWR Max	Power(W)	Connector Type	Temp.(°C)
	CH1	CH2						
UIYDX342174A4482T4698NF	CH1	448.2 ~ 454.8	1.5	60	1.3	50	N-F	-30 ~ +70
	CH2	463.2~469.8						
UIYDX342174A4482T4698SF	CH1	448.2 ~ 454.8	1.5	60	1.3	50	SMA-F	-30 ~ +70
	CH2	463.2~469.8						

<sup>2</sup> Listed are specific frequency ranges and tailor-made ranges are available.

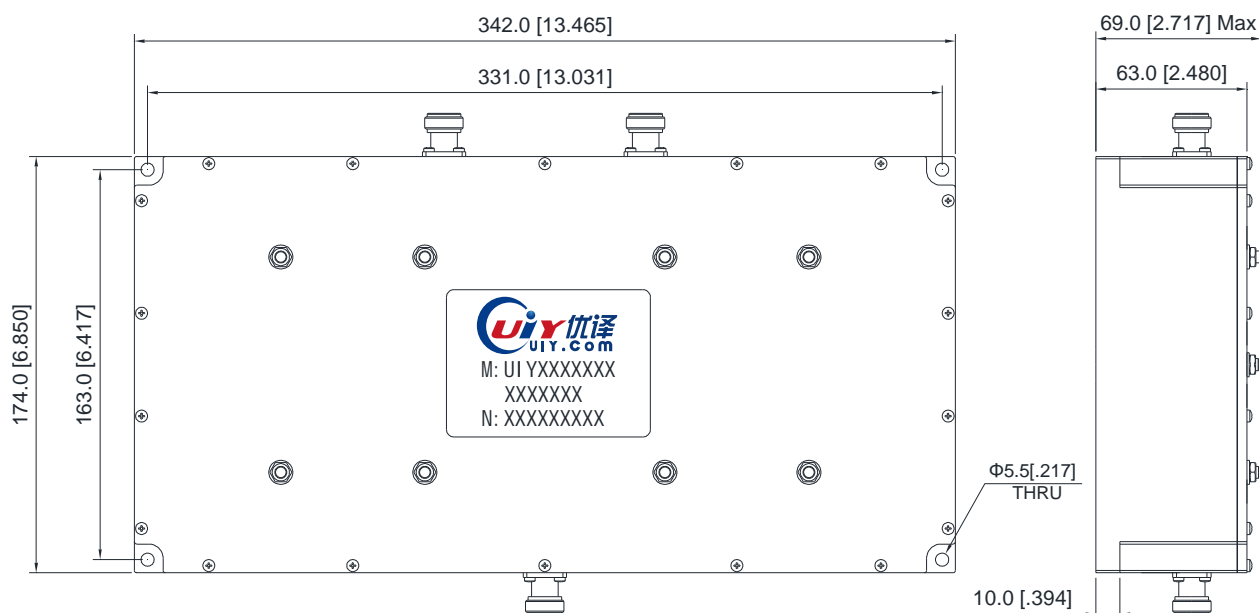
<sup>2</sup> Please provide the information below when inquiring and mark \* is must.

\* 1. The specific frequency range TX and RX

\* 2. Insertion Loss, Isolation, VSWR

3. Other special requests (Power handling, Temperature, Dimension, etc.)

### Mechanical Drawing



Unit: mm/ inch, General part tolerance is  $\pm 2\%$  unless otherwise stated.

Ver. 5.1