

## 56 to 86MHz – Coaxial Isolator

### Design Features

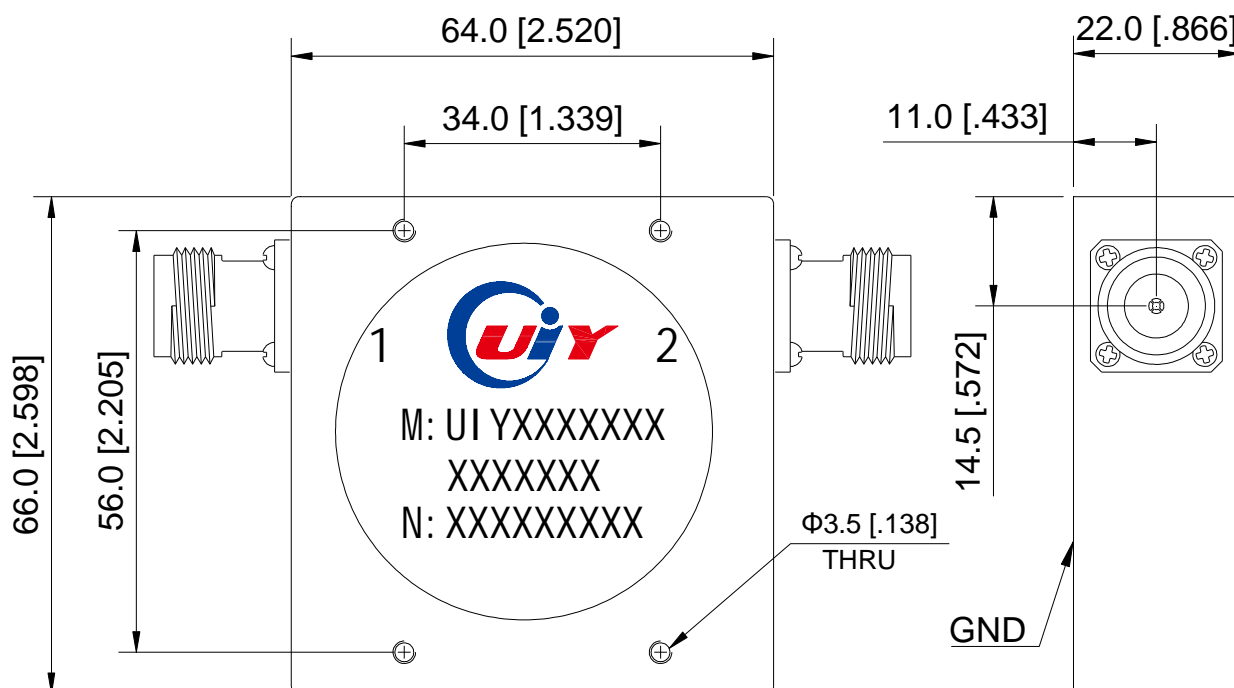
- ◆ Can be dual junction or multiple for high isolation.
- ◆ High RF performance, ultra-competitive price.
- ◆ Military, space and commercial applications.
- ◆ Custom design available upon request.
- ◆ Support one year standard warranty.

### RF Characteristics

| Model Number       | Freq. Range (MHz) | Insertion Loss Max(dB) | Isolation Min(dB) | VSWR Max | Forward Power(W) | Reverse Power(W) | Connector Type | Temp.(°C) |
|--------------------|-------------------|------------------------|-------------------|----------|------------------|------------------|----------------|-----------|
| UIYBCI6466B56T86NF | 56 ~ 86           | 1.5                    | 16                | 1.4      | 60               | 30               | N-F            | +10 ~ +60 |
| UIYBCI6466B56T86SF | 56 ~ 86           | 1.5                    | 16                | 1.4      | 60               | 30               | SMA-F          | +10 ~ +60 |

- <sup>2</sup> Listed are specific frequency ranges and tailor-made ranges are available.
- <sup>2</sup> Please provide the information below when inquiring and mark \* is required.
- \* 1. The specific frequency ranges
  - \* 2. Power handling (Forward, Reverse, Peak, etc.)
  - \* 3. Connect type (SMA Male/ Female, N Male/ Female, etc.)
  - \* 4. Other special request if have (Insertion Loss, Isolation, VSWR, Temperature, Dimension, etc.)

### Mechanical Drawing



Unit: mm/ inch, General part tolerance is  $\pm 0.2$ mm unless otherwise stated.

Ver. 5