

# 1225 to 1875MHz – Coaxial Isolator

## Design Features

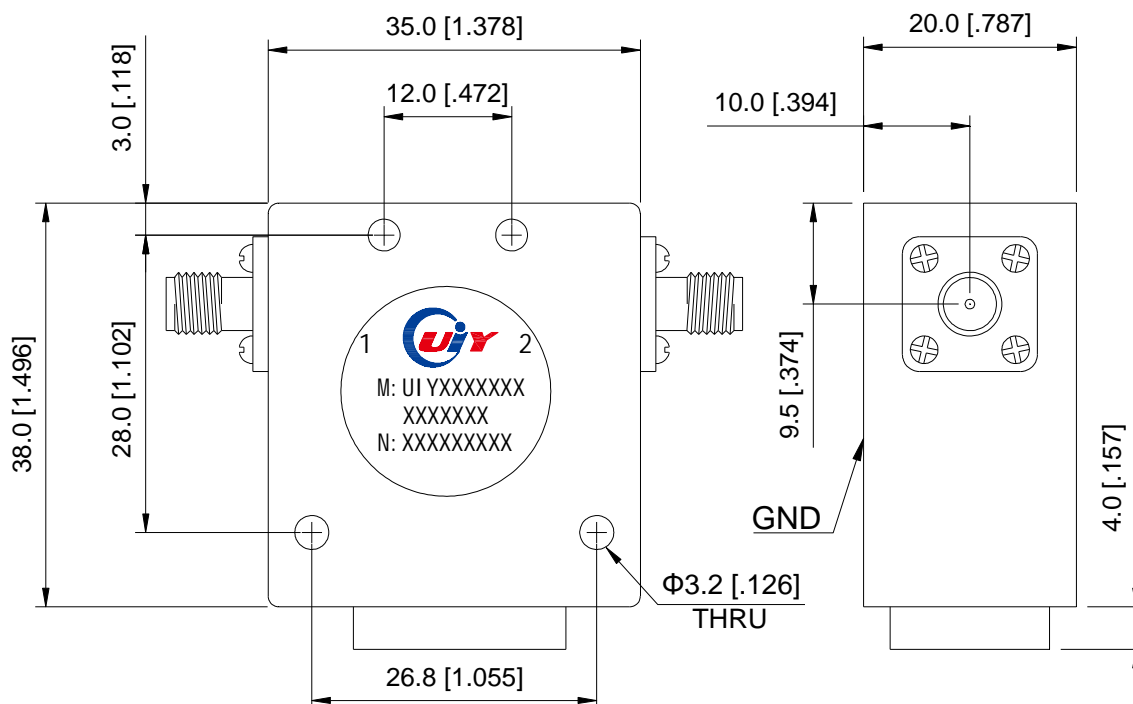
- ◆ Can be dual junction even three for high isolation.
- ◆ High RF performance, ultra-competitive price.
- ◆ Military, space and commercial applications.
- ◆ Custom design available upon request.
- ◆ Guaranteed for one year standard.

## RF Characteristics

Model Number	Freq. Range (MHz)	Insertion Loss Max(dB)	Isolation Min(dB)	VSWR Max	Forward Power(W)	Reverse Power(W)	Connector Type	Temp.(°C)
UIYBCI3538E1225T1875SF	1225 ~ 1875	0.6	16	1.4	100	30	SMA-F	0 ~ +70
UIYBCI3538E1225T1875NF	1225 ~ 1875	0.6	16	1.4	300	30	N-F	0 ~ +70

- <sup>2</sup> List are specify frequency range and other ranges available.  
<sup>2</sup> Please enter below information when inquiry and mark \* is must.
- \* 1. The specific frequency range
  - \* 2. Power handling (Forward, Reverse, Peak, etc.)
  - \* 3. Connect type (SMA Male/ Female, N Male/ Female, etc.)
  - 4. Other special request if have (Insertion Loss, Isolation, VSWR, Temperature, Dimension, etc.)

## Mechanical Drawing



Unit: mm/ inch, General part tolerance is  $\pm 0.2$ mm unless otherwise stated.

Ver. 5

3/F, Building A5, Shenbao Power Industrial Park, Shenzhen 518116, China.

Web: [www.uiy.com](http://www.uiy.com)

Tel: +86-755-83748888 +86-755-25999990

Fax: +86-755-25999959

E-mail: [sales@uiy.com](mailto:sales@uiy.com)